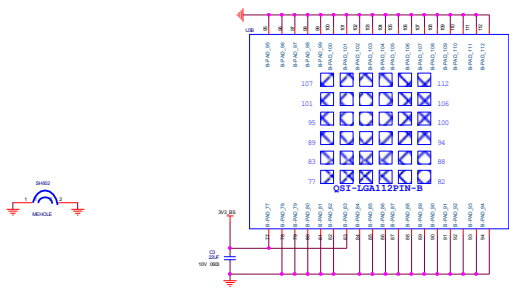
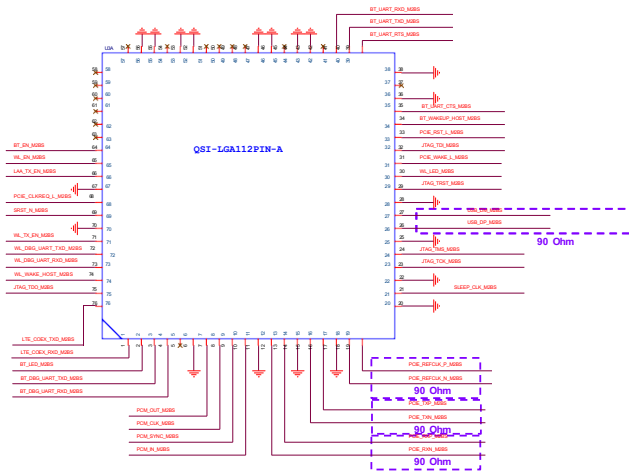
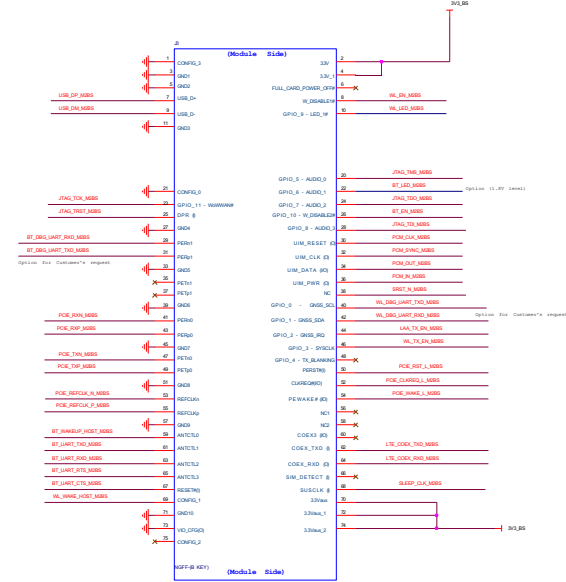


LGA Module 112Pin



M.2 B Key



PART NUMBER		DESCRIPTION								
AXF-QCA206X-XXXX		E20 Series F, M.2 B-Key Carrier Schematic								
Copyright © All Rights Reserved - VoxMicro LTD Group										
DRAWING NUMBER	FINISH by	APVD by	MATERIAL by	UNITS in	DIMENSION	SIZE	SCALE	SHEET		
AEBPO-130001-01	Andy	LT		mm	1PCL ±0.5 ANGLES ±5°	A4	1:1	1 OF 1		
RELEASE	Zone	NOTES			DRAWN	CHECKED	DATE			
1	1	Initial Release			AC	LT	2023-03-07			

CONFIDENTIAL AND PROPRIETARY - VOXMICRO, LTD. : NOT TO BE USED, COPIED, REPRODUCED, OR MODIFIED IN WHOLE OR IN PART, NOR ITS CONTENTS REVEALED IN ANY MANNER TO OTHERS WITHOUT THE EXPRESS WRITTEN PERMISSION OF VOXMICRO, LTD.

THIS TECHNICAL DATA MAY BE SUBJECT TO U.S. AND INTERNATIONAL EXPORT, RE-EXPORT OR TRANSFER ("EXPORT") LAWS, DIVERSION CONTRARY TO U.S. AND INTERNATIONAL LAW IS STRICTLY PROHIBITED.

AIRETOS® AND OxfordTEC® ARE REGISTERED TRADEMARKS OF VOXMICRO, LTD. ALL OTHER REGISTERED AND UNREGISTERED TRADEMARKS ARE THE PROPERTY OF VOXMICRO LTD GROUP OR THEIR RESPECTIVE OWNERS.

