

MiniPCIe CARRIER BOARD
Block Diagram

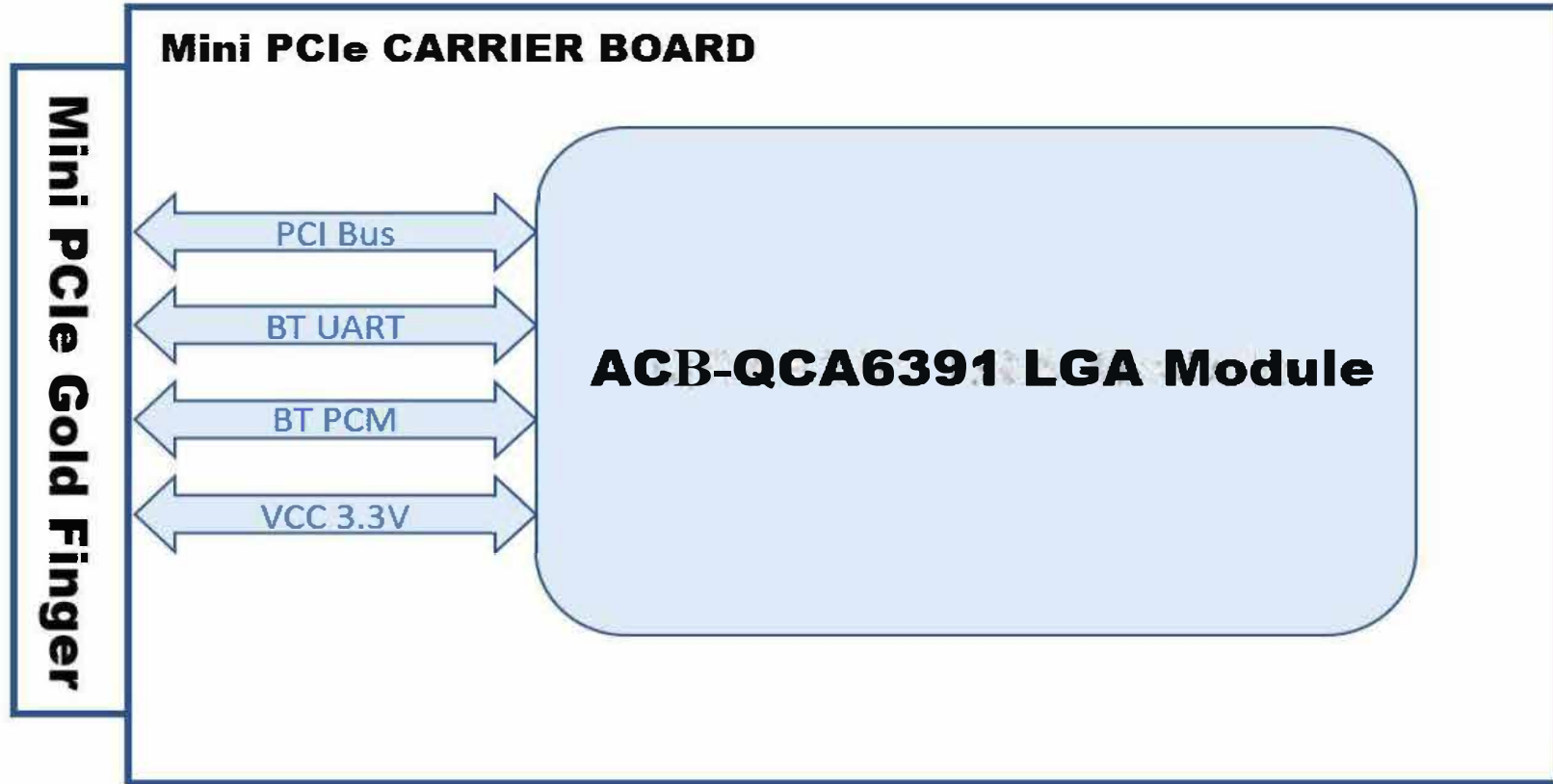


TABLE OF CONTENTS:
PAGE 01: BLOCK DIAGRAM
PAGE 02: MiniPCIe_INTERFACE

PART NUMBER	DESCRIPTION								
AXX-QCA6391-xxx	CoB to minicard Interconnect Bridge Carrier Board								
Copyright © All Rights Reserved - VoxMicro LTD Group			www.voxmicro.com - www.voxmicro.tel						
DRAWING NUMBER	FINISH by	APVD by	MATERIAL by	UNITS in	DIMENSION	SIZE	SCALE	SHEET	
AEBPO-100253- 03	Andy	LT		mm	1PCL ±0.5 ANGLES ±5°	A4	1:1	1 OF 2	
RELEASE	Zone	NOTES	DRAWN	CHECKED	DATE				
1	1		AC	Andy	2019-12-03				
2	1		AC	Andy	2019-12-23				

CONFIDENTIAL AND PROPRIETARY - VOXMICRO, LTD. : NOT TO BE USED, COPIED, REPRODUCED, OR MODIFIED IN WHOLE OR IN PART, NOR ITS CONTENTS REVEALED IN ANY MANNER TO OTHERS WITHOUT THE EXPRESS WRITTEN PERMISSION OF VOXMICRO, LTD.
THIS TECHNICAL DATA MAY BE SUBJECT TO U.S. AND INTERNATIONAL EXPORT, RE-EXPORT OR TRANSFER ("EXPORT") LAWS. DIVERSION CONTRARY TO U.S. AND INTERNATIONAL LAW IS STRICTLY PROHIBITED.
AIREIOS® AND OxfordTEC® ARE REGISTERED TRADEMARKS OF VOXMICRO, LTD. ALL OTHER REGISTERED AND UNREGISTERED TRADEMARKS ARE THE PROPERTY OF VOXMICRO LTD GROUP OR THEIR RESPECTIVE OWNERS.



A

B

C

D

E

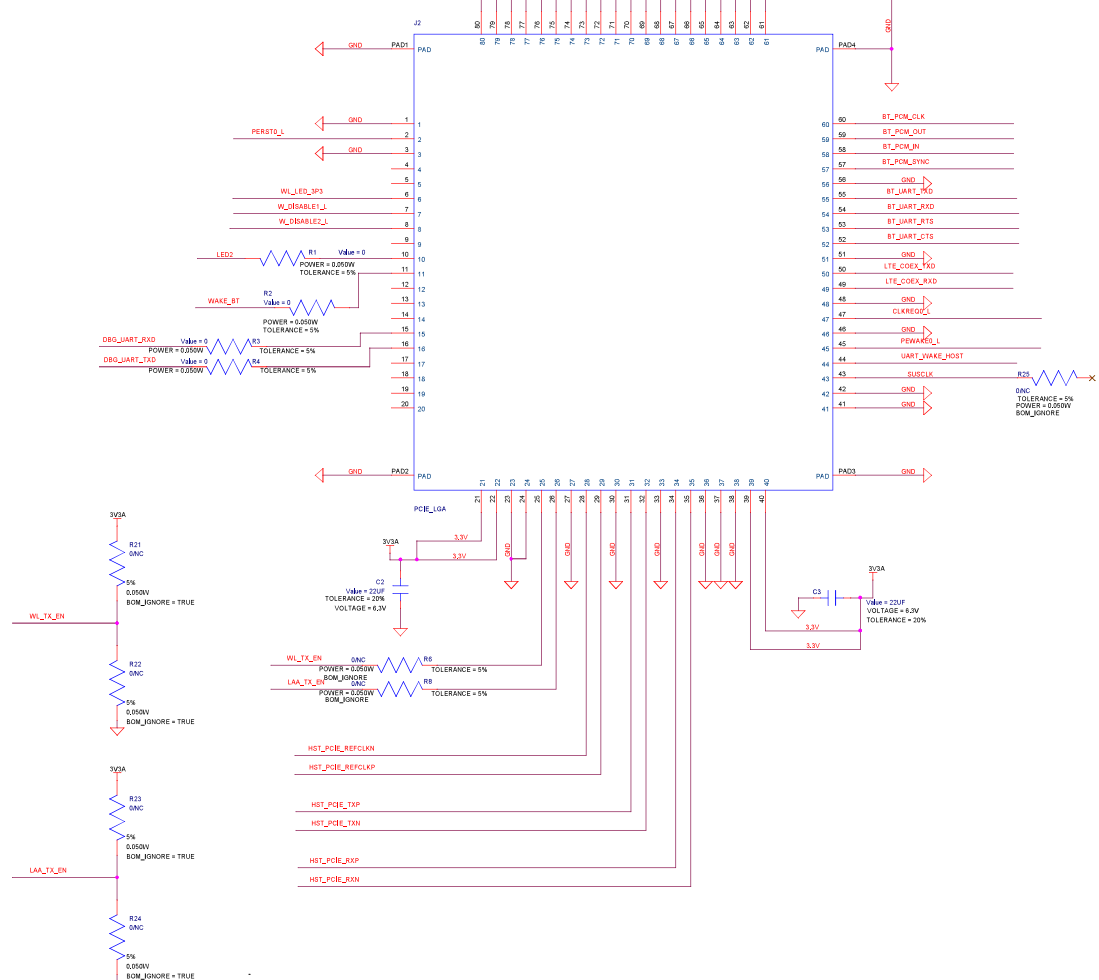
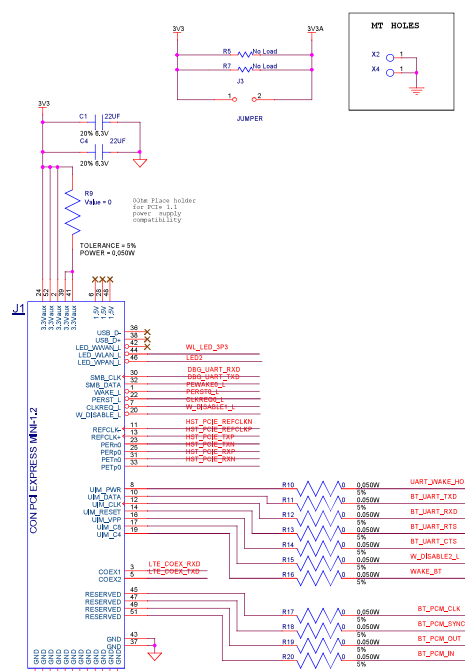


TABLE OF CONTENTS:
PAGE 01: BLOCK DIAGRAM
PAGE 02: MiniPCIe_INTERFACE

PART NUMBER	DESCRIPTION							
AXX-QCA6391-xxx	CoB to minicard Interconnect Bridge Carrier Board							
Copyright © All Rights Reserved - VoxMicro LTD Group								
www.voxmicro.com - www.voxmicro.tel								
DRAWING NUMBER	FINISH by	APVD by	MATERIAL by	UNITS in	DIMENSION	SIZE	SCALE	SHEET
AEBPO-100253- 03	Andy	LT		mm	1PCL ±0.5 ANGLES ±5°	A4	1:1	1 OF 2
RELEASE	Zone	NOTES	DRAWN	CHECKED	DATE			
1	1		AC	Andy	2019-12-03			
2	1		AC	Andy	2019-12-23			

CONFIDENTIAL AND PROPRIETARY - VOXMICRO, LTD. : NOT TO BE USED, COPIED, REPRODUCED, OR MODIFIED IN WHOLE OR IN PART, NOR ITS CONTENTS REVEALED IN ANY MANNER TO OTHERS WITHOUT THE EXPRESS WRITTEN PERMISSION OF VOXMICRO, LTD.

THIS TECHNICAL DATA MAY BE SUBJECT TO U.S. AND INTERNATIONAL EXPORT, RE-EXPORT OR TRANSFER ("EXPORT") LAWS. DIVERSION CONTRARY TO U.S. AND INTERNATIONAL LAW IS STRICTLY PROHIBITED.

AIRETOS® AND OxfordTEC® ARE REGISTERED TRADEMARKS OF VOXMICRO, LTD. ALL OTHER REGISTERED AND UNREGISTERED TRADEMARKS ARE THE PROPERTY OF VOXMICRO LTD GROUP OR THEIR RESPECTIVE OWNERS.