


# HGFF M.2 CARRIER BOARD

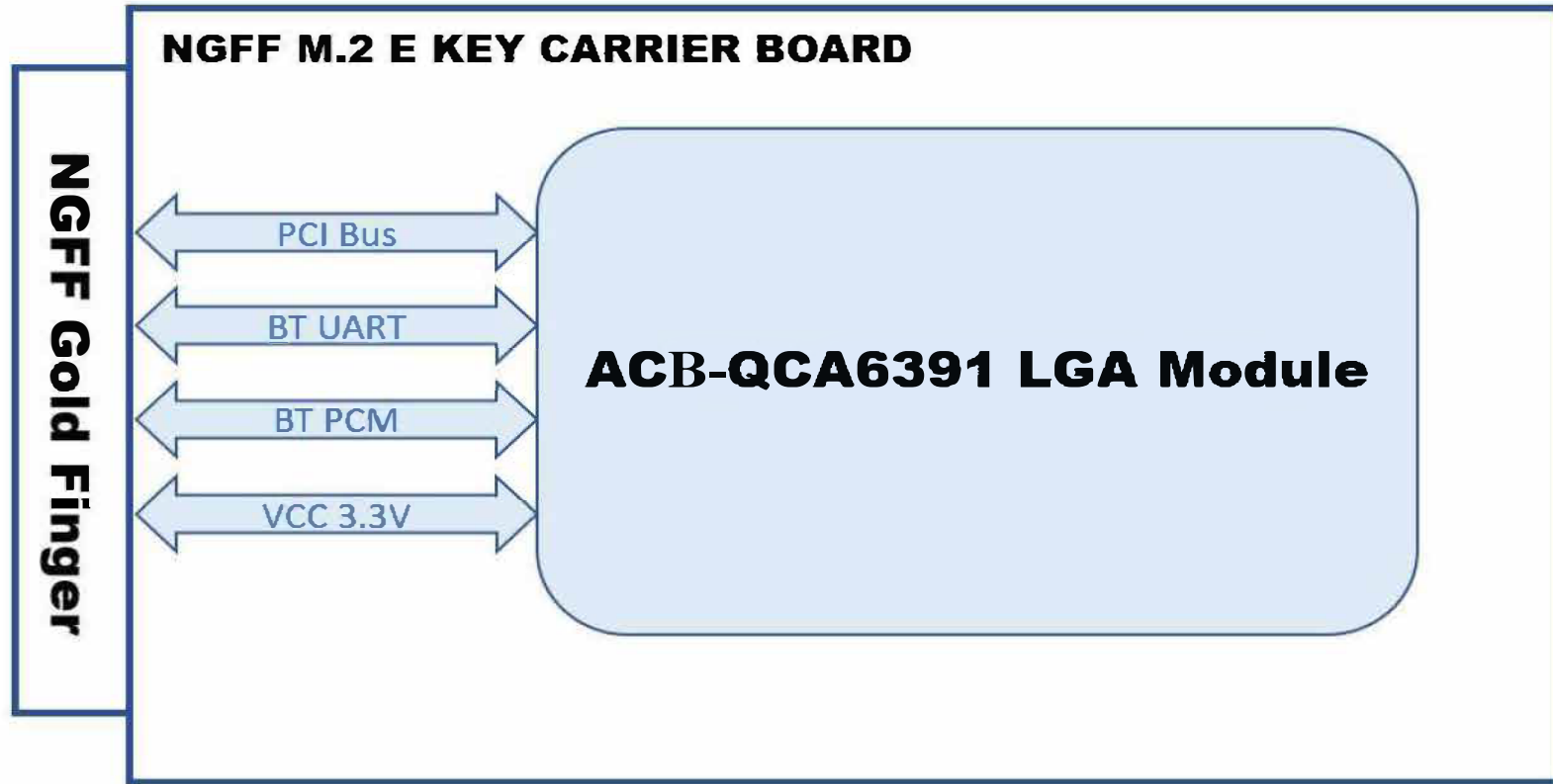
## Revision History

DATE	REVISION NUMBER	INITIALS	DESCRIPTION
12/11/2019	001	ANDY	Start SCH


**TABLE OF CONTENTS:**  
**PAGE 01: Revision History**  
**PAGE 02: BLOCK DIAGRAM**  
**PAGE 03: NGFF\_M.2\_INTERFACE**

<b>PART NUMBER</b>		<b>DESCRIPTION</b>							
AXW-QCA6391-xxx		CoB to M.2 E-Key Interconnect Bridge - Carrier Board							
<small>Copyright © All Rights Reserved - VoxMicro LTD Group</small>									
<small>www.voxmicro.com - www.voxmicro.tel</small>									
<b>DRAWING NUMBER</b>	<b>FINISH by</b>	<b>APVD by</b>	<b>MATERIAL by</b>	<b>UNITS in</b>	<b>DIMENSION</b>	<b>SIZE</b>	<b>SCALE</b>	<b>SHEET</b>	
AEBPO-100252- 02	Andy	LT		mm	1PCL ±0.5 ANGLES ±5°	A4	1:1	1 OF 3	
<b>RELEASE</b>	<b>Zone</b>	<b>NOTES</b>	<b>DRAWN</b>			<b>CHECKED</b>		<b>DATE</b>	
1	1		AC			Andy		2019-12-03	

NGFF M.2 CARRIER BOARD  
Block Diagram



**TABLE OF CONTENTS:**  
**PAGE 01: Revision History**  
**PAGE 02: BLOCK DIAGRAM**  
**PAGE 03: NGFF\_M.2\_INTERFACE**

PART NUMBER		DESCRIPTION							
AXW-QCA6391-xxx		CoB to M.2 E-Key Interconnect Bridge - Carrier Board							
Copyright © All Rights Reserved - VoxMicro LTD Group				www.voxmicro.com - www.voxmicro.tel					
DRAWING NUMBER	FINISH by	APVD by	MATERIAL by	UNITS in	DIMENSION	SIZE	SCALE	SHEET	
AEBPO-100252- 02	Andy	LT		mm	1PCL ±0.5 ANGLES ±5°	A4	1:1	2 OF 3	
RELEASE	Zone	NOTES			DRAWN	CHECKED	DATE		
1	1				AC	Andy	2019-12-03		

CONFIDENTIAL AND PROPRIETARY - VOXMICRO, LTD. : NOT TO BE USED, COPIED, REPRODUCED, OR MODIFIED IN WHOLE OR IN PART, NOR ITS CONTENTS REVEALED IN ANY MANNER TO OTHERS WITHOUT THE EXPRESS WRITTEN PERMISSION OF VOXMICRO, LTD.  
 THIS TECHNICAL DATA MAY BE SUBJECT TO U.S. AND INTERNATIONAL EXPORT, RE-EXPORT OR TRANSFER ("EXPORT") LAWS. DIVERSION CONTRARY TO U.S. AND INTERNATIONAL LAW IS STRICTLY PROHIBITED.  
 AIREIOS® AND OxfordTEC® ARE REGISTERED TRADEMARKS OF VOXMICRO, LTD. ALL OTHER REGISTERED AND UNREGISTERED TRADEMARKS ARE THE PROPERTY OF VOXMICRO LTD GROUP OR THEIR RESPECTIVE OWNERS.

A

B

C

D

E

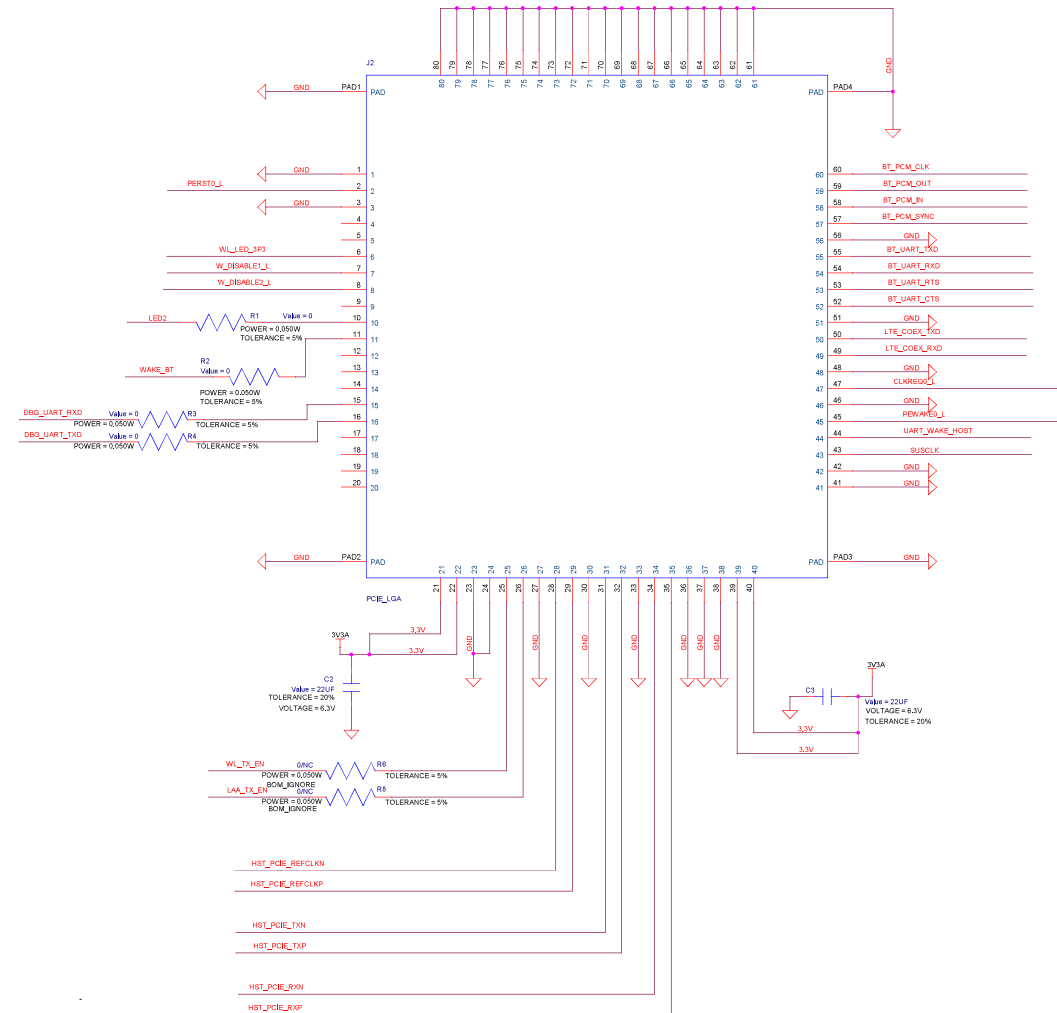
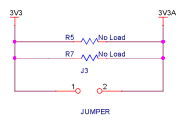
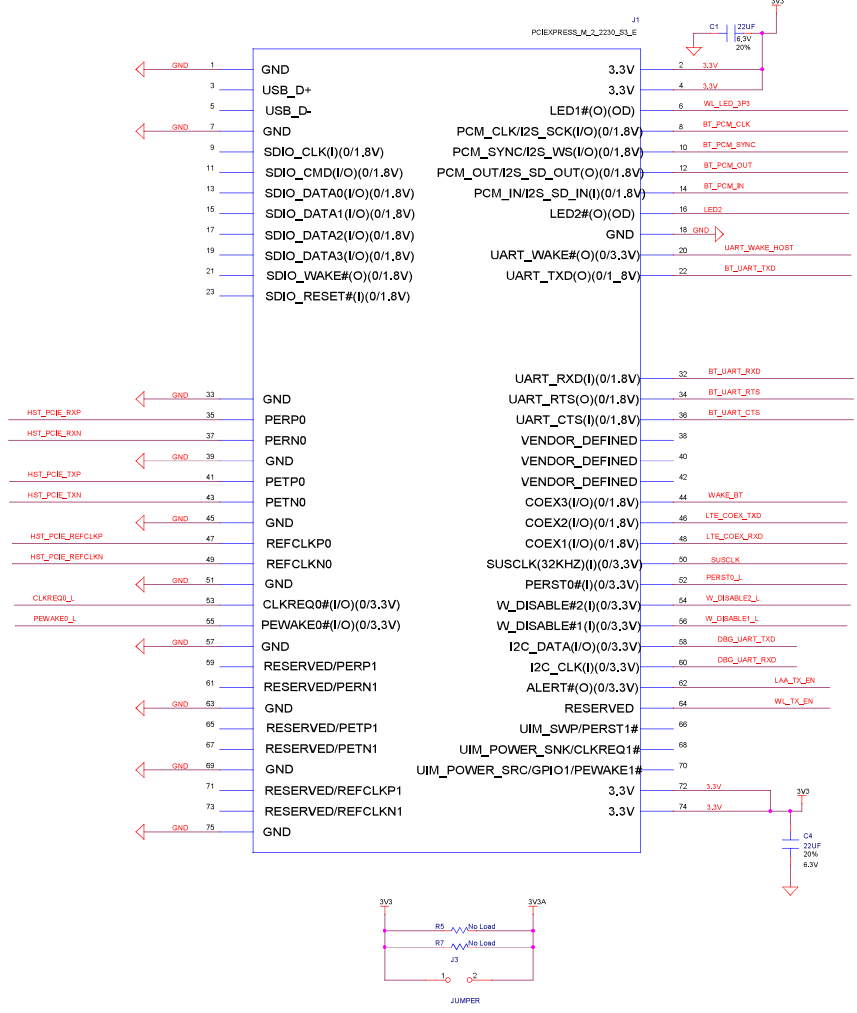
A

B

C

D

E



**TABLE OF CONTENTS:**  
**PAGE 01: Revision History**  
**PAGE 02: BLOCK DIAGRAM**  
**PAGE 03: NGFF\_M.2\_INTERFACE**

PART NUMBER	DESCRIPTION	TECH DESIGN						
AXW-QCA6391-xxx	CoB to M.2 E-Key Interconnect Bridge - Carrier Board	<b>VOXMICR</b>						
Copyright © All Rights Reserved - VoxMicro LTD Group								
www.voxmicro.com - www.voxmicro.tel								
DRAWING NUMBER	FINISH by	APVD by	MATERIAL by	UNITS in	DIMENSION	SIZE	SCALE	SHEET
AEBPO-100252- 02	Andy	LT		mm	1PCL ±0.5	A4	1:1	3 OF 3
ANGLES ±5°								
RELEASE	Zone	NOTES	DRAWN	CHECKED	DATE			
1	1		AC	Andy	2019-12-03			

CONFIDENTIAL AND PROPRIETARY - VOXMICRO, LTD. : NOT TO BE USED, COPIED, REPRODUCED, OR MODIFIED IN WHOLE OR IN PART, NOR ITS CONTENTS REVEALED IN ANY MANNER TO OTHERS WITHOUT THE EXPRESS WRITTEN PERMISSION OF VOXMICRO, LTD.  
 THIS TECHNICAL DATA MAY BE SUBJECT TO U.S. AND INTERNATIONAL EXPORT, RE-EXPORT OR TRANSFER ("EXPORT") LAWS. DIVERSION CONTRARY TO U.S. AND INTERNATIONAL LAW IS STRICTLY PROHIBITED.  
 AIRFOTOS © AND OxfordTEC © ARE REGISTERED TRADEMARKS OF VOXMICRO, LTD. ALL OTHER REGISTERED AND UNREGISTERED TRADEMARKS ARE THE PROPERTY OF VOXMICRO LTD GROUP OR THEIR RESPECTIVE OWNERS.