

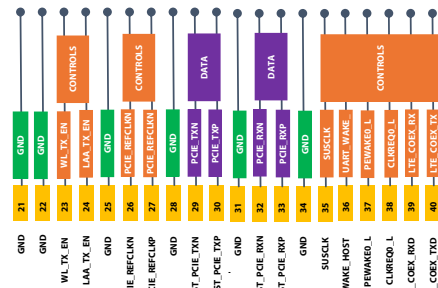
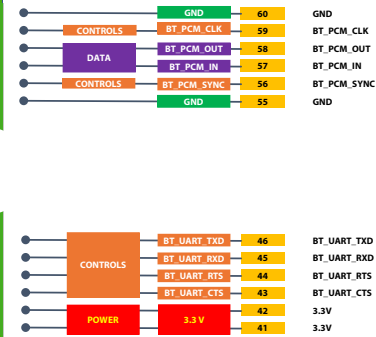
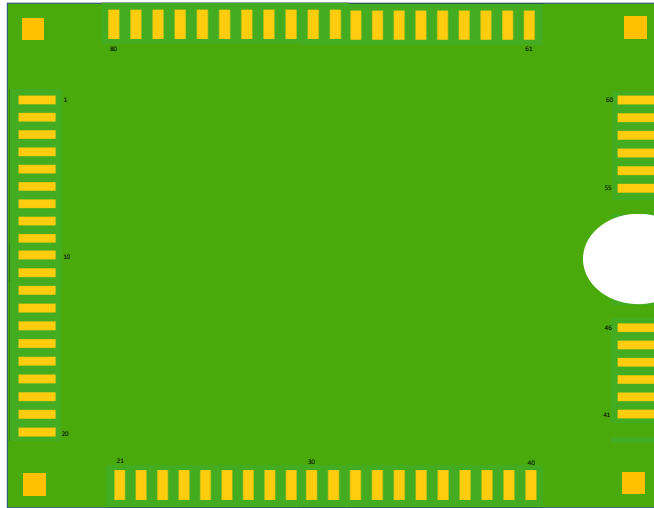
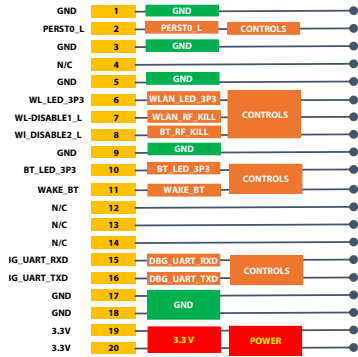
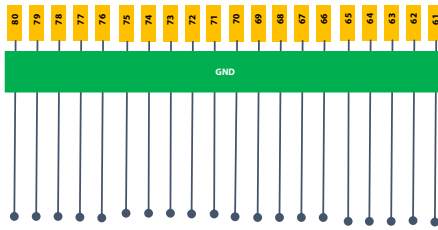
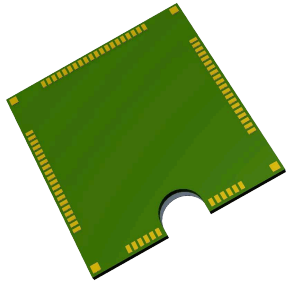
A

B

C

D

E



COLOUR CODING	
GROUND	
POWER	
DIFFERENTIAL DATA	
CONTROLS	
TERMINAL ID	
RESERVED	
Open Circuit when no indications	

PART NUMBER		DESCRIPTION								
ACB-QCA6391-xx		CoB LGA pads pin mapping - Drawing and List								
Copyright © All Rights Reserved - VoxMicro LTD Group										
DRAWING NUMBER	FINISH by	APVD by	MATERIAL by	UNITS in	DIMENSION	SIZE	SCALE	SHEET		
AEBPO-100241- 02	Andy	LT		mm	1PCL ±0.5 ANGLES ±5.	A4	1:1	1 OF 1		
RELEASE	Zone	NOTES	DRAWN	CHECKED	DATE					
1	1	CoB LGA for WiFi / UART for BT	AC	LT	2019-10-24					



www.voxmicro.com - www.voxmicro.tel

CONFIDENTIAL AND PROPRIETARY - VOXMICRO, LTD. : NOT TO BE USED, COPIED, REPRODUCED, OR MODIFIED IN WHOLE OR IN PART, NOR ITS CONTENTS REVEALED IN ANY MANNER TO OTHERS WITHOUT THE EXPRESS WRITTEN PERMISSION OF VOXMICRO, LTD.
 THIS TECHNICAL DATA MAY BE SUBJECT TO U.S. AND INTERNATIONAL EXPORT, RE-EXPORT OR TRANSFER ("EXPORT") LAWS, DIVERSION CONTRARY TO U.S. AND INTERNATIONAL LAW IS STRICTLY PROHIBITED.
 AIRETOS® AND OxfordTEC® ARE REGISTERED TRADEMARKS OF VOXMICRO, LTD. ALL OTHER REGISTERED AND UNREGISTERED TRADEMARKS ARE THE PROPERTY OF VOXMICRO LTD GROUP OR THEIR RESPECTIVE OWNERS.